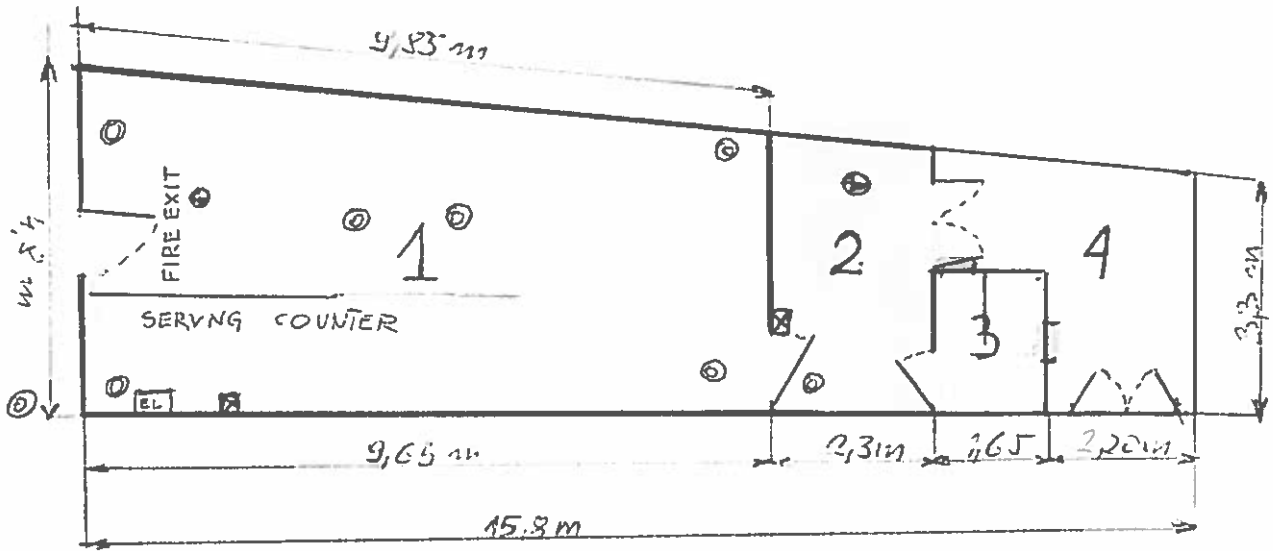


FRONT (FIRE EXIT) ENTRANCE DOOR



- 1 - SHOP
- 2 - STOCK ROOM/OFFICE
- 3 - TOILET-KITCHEN
- 4 - TEMPORARY BUILDING / CONSTRUCTION

- WINDOWS
- DOORS

- ⊗ - FIRE EXTINGUISHER LOCATION
- ⊙ - SMOKE DETECTORS
- ⊙ - CCTV
- EL - EMERGENCY LIGHT