



CT Architects LLP
Sandford House
Cathedral Lane
Gusling
GU1 1LG



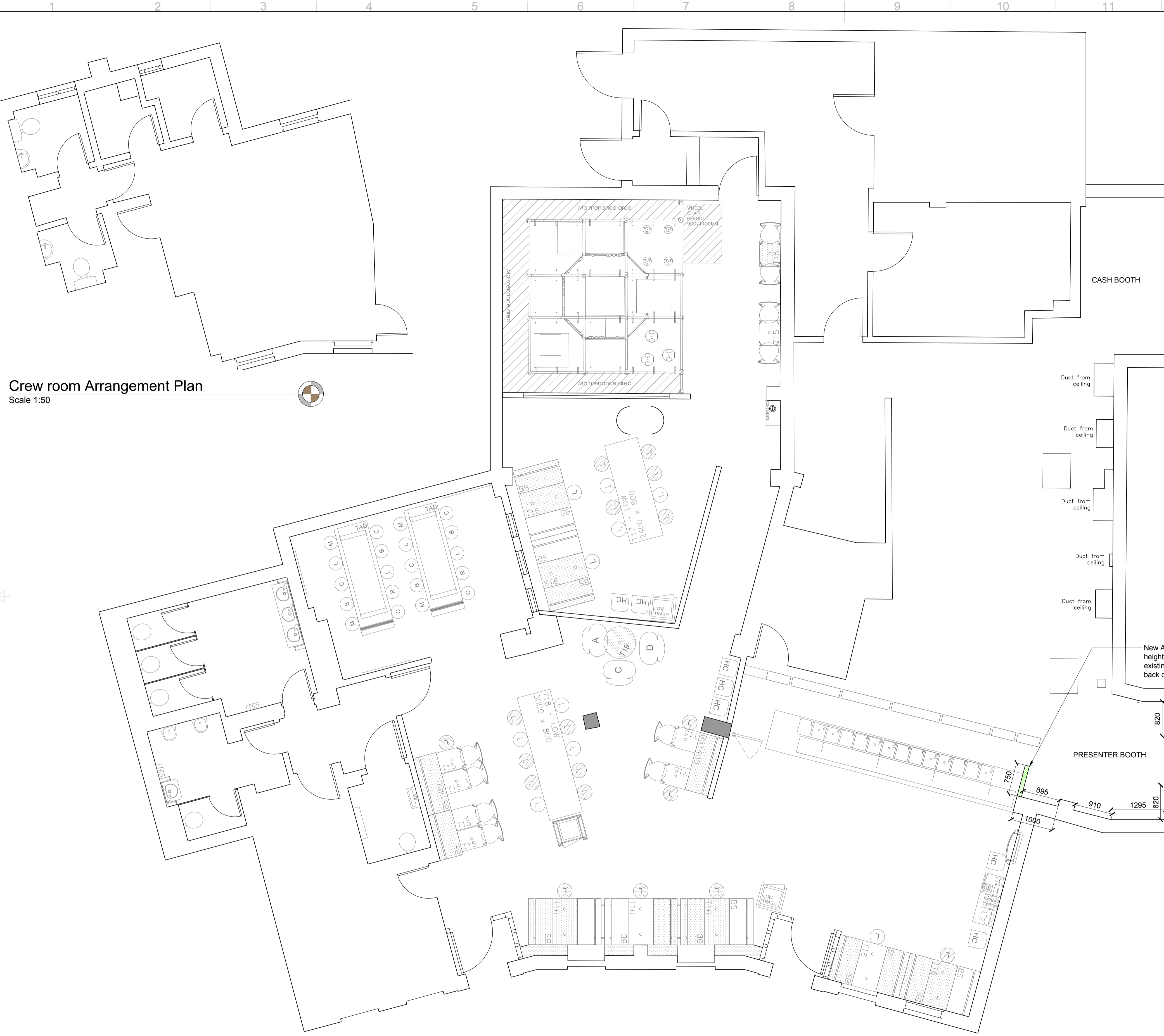
- All drawings to be read in conjunction with all other drawings
- All works to be undertaken in accordance with the building regulations and the latest British standards
- All proprietary materials and products are to be used strictly in accordance with the manufacturers' recommendations
- All dimensions to be checked on site prior to construction and any discrepancies reported to the McDonald's PM
- These drawings have been developed in accordance with existing building surveys provided by McDonald's. Any discrepancies should be reported to the McDonald's PM
- These drawings to be read in conjunction with all other McDonald's design standards and specifications
- These drawings describe the architectural design of the restaurant seating area, customer toilets and crew room only. They do not include details of works to any other back of house or kitchen areas unless specifically noted.
- All drawings are for architectural purposes only. All mechanical and electrical works (emergency lighting, speakers, fire detection & alarm, supply and extract grilles, water and power supplies etc.) should be designed and co-ordinated by the contractor/specialists M&E designer.
- Refer to McDonald's standards refurbished specification regarding hot water supply to wash hand basins. Replacements of existing units may require the installation of a new hot water supply (some existing units have electrical hot water heaters)
- Note: these drawings do not include statutory signage. All statutory signage is to be supplied and installed by Recognition Express.
- Refer to McDonald's standard specifications for further information regarding DDA (disabled access, hearing loops)
- External drainage: the contractor's attention is drawn to existing drainage on site. The contractor should co-ordinate existing drainage runs and manholes with signage bases etc. and report any clashes to the McDonald's PM.
- All public facing doors must be installed with a finger guard
- All dimensions to be checked on site prior to commencement on site. Any discrepancies to be reported to McDonald's PM
- All pedestals to be fixed to floor.
- All ironmongery to be satin stainless steel

Notes:
Should the contractor be responsible for the detailed design of extensions, the designs and specifications prepared for tender form part of the employer's requirements documents describing the scope of works required. The design team has prepared this information without the contractor's input. The contractor should therefore note that these are not final designs suitable for construction purposes.

The contractor is responsible for the detailed design and co-ordination of the entire scheme including substructure, superstructure, interior fit out and external works.

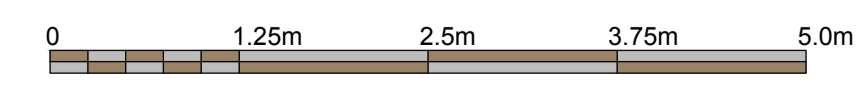
Should the contractor wish to vary the specification of products and/or components etc. From those indicated by the design team, specific approval must be obtained from the McDonald's PM.

- Notes for Store Extensions:**
- Drawings for store extensions are for architectural purposes only. Refer to structural engineer for the design of foundations, floor slab, dpm, steel frame.
 - M&E design of extensions by others
 - Mechanical designer to advise on the extension of the existing rainwater disposal system (extension of gutters, additional down pipes etc.)
 - New restaurant shop fronts to be in accordance with the building regulations and to McDonald's standard shop front cladding profile
 - Brick slips - note-brick slips are subject to availability. Early procurement required, otherwise seek alternative bricks to be approved by McDonald's PM
 - Submit samples/details of the following to the McDonald's PM for approval shop front cladding, roof cladding, brickslips/wall cladding & render.



Crew room Arrangement Plan
Scale 1:50

Dining Room General Arrangement Plan
Scale 1:50



CASH BOOTH

Duct from ceiling

Duct from ceiling

Duct from ceiling

Duct from ceiling

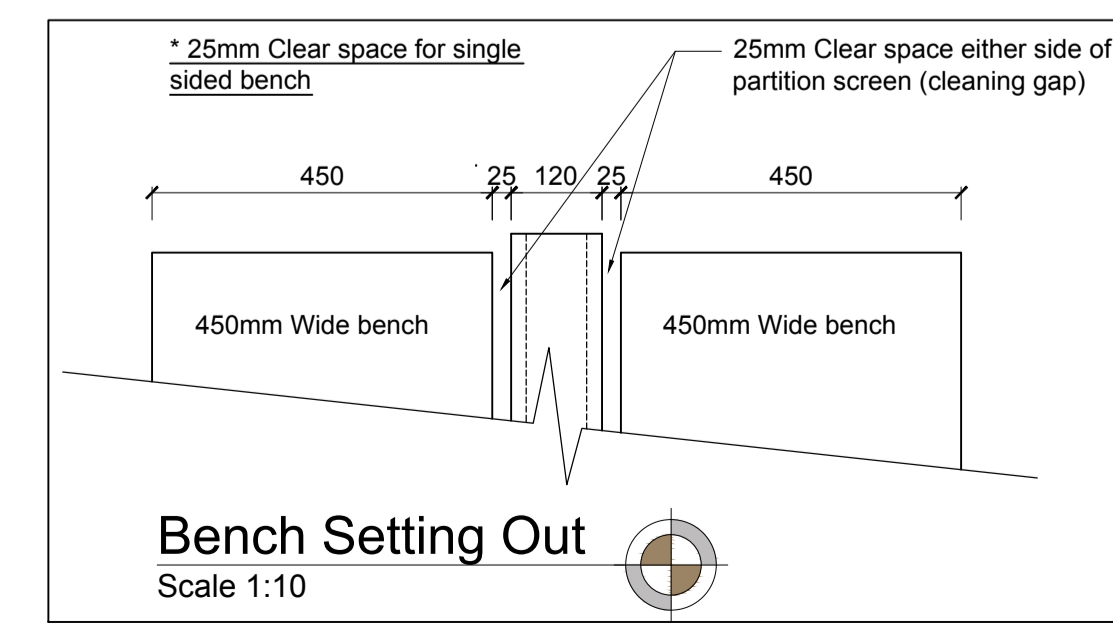
Duct from ceiling

Duct from ceiling

New Acoustic partition wall to ceiling height. Timber laminate to match existing wall. Partition to be flush with back of counter

PRESENTER BOOTH

Colour referencing (McD's European standard)	
	Relocated item(s)
	Item(s) retained in existing location
	New construction
	New item(s)
	Optional/future item(s)



B	12-09-13	Acoustic new wall revised	ZE	IPF
A	28-06-13	FIRST ISSUE	ZE	IPF
REV	DATE	DRAWING REVISIONS	BY	CHECKED

This drawing has been reviewed and signed off by McDonald's Restaurants. List any errors, changes or discrepancies should be reported to the McDonald's project manager and designers prior to commencing work on site.
Name (PM): _____ Date: _____
Signature: _____

GENERAL NOTES:
All works are to be undertaken in accordance with the Building Regulations and the latest British Standards.
All proprietary materials and products are to be used strictly in accordance with the manufacturers' recommendations.
All dimensions to be checked on site prior to construction.

PROPOSED DEVELOPMENT AT
Shaftesbury Circle
South Harrow HR2 0AG
STORE NO: 1005

ON BEHALF OF
McDonald's Restaurants Ltd
DRAWING TITLE:
General Arrangement Plan

DRAWN BY ZE	CHECKED BY IPF	DRAWING NO. 0912-1005-50	REV NO. B
SCALE 1:50@A1	DATE 20-06-13		



CT Architects LLP
Sandford House
Cathedral Lane
Gusling
GU1 1LG

